



ES140
Cordless Electrostatic Backpack Sprayer
-Operation Manual

ES140

Cordless Electrostatic Backpack Sprayer



1. Instructions before usage

Thank you for buying WIPCOOL ES140 electrostatic cordless sprayer, we are dedicated to providing you with high quality products.

Please check if your ordered product is in good shipment condition with the correct accessories, any damage during transportation, please contact us or the local distributors in time if you find any problems.

This manual gives instructions on the correct operation, it's important that you follow this instructions carefully. If there is any change in the product (including the specification), we won't inform you any more.

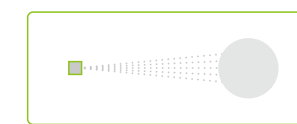
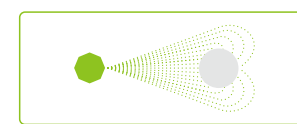
2. Product Introduction

The ES140 electrostatic cordless sprayer is the choice of cleaning professionals for disinfecting and sanitizing large areas quickly and efficiently. The 16L backpack sprayer holds enough disinfectant to cover up to 2,000 square meter on a single tank, while giving you up to 4 hour of spraying on a single battery(4.0Ah) charge.

The product is based on a simple physical principle: same electric charges repel each other, opposite electric charges attract each other. Through the built-in electrostatic generator, each sprayed particle is positively charged. Because the positively charged particles repel each other, so the coverage is wider and the effect of spraying on the object surface is more uniform.

In addition, since most objects have negative or neutral electric charges on their surfaces, They will attract these positive electric charges, create a mutual adsorption effect, and so it is can easily cover the backs of hard-to-reach objects, completing the job efficiently and quickly. It can be used across a range of industries, from air travel, hotel to schools, restaurants, and etc.

3. Product Overview

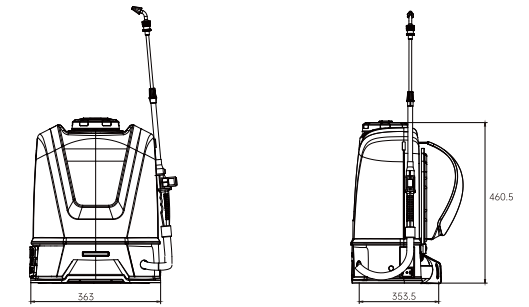


Electrostatic effect

Normal effect

4. Product Intended Usage:

- Anti-epidemic disinfection in public places such as hospitals, hotels, restaurants, schools, gyms and other public areas.
- Prevention and control of crop diseases and insect pests of vegetables, crops, seedlings, fruit trees and other plants.
- Spraying of liquid fertilizer.
- Epidemic disinfection of poultry, livestock and other farms animals.



TECHNICAL DATA :			
Model	ES140	Reference Running time	150mins(2.0Ah)
Voltage	18V(AEG/RIDGID interface)		260mins(4.0Ah)
Optimum Spray Distance	0.8-2m		
Tank Capacity	16L	Reference Charge time	120mins(2.0Ah)
Nozzle Spray Sizes	140 micron		240mins(4.0Ah)
Flowrate	500ml/min		
Remarks	Due to the strict transportation terms, we can not include any Li-Ion battery, you can choose our battery adapters for use your local batteries		

5. Safety Instructions

- ⚠ WARNING:**
It is the operator's responsibility to read and understand the cautions and warnings in this manual before attempting to operate this machine.
- ⚠ WARNING:**
When using electric appliances, basic precautions should always be followed, including the following:
- Read all the instructions before using the appliance.
 - To reduce the risk of injury, close supervision is necessary when an appliance is used near children.
 - Only use attachments recommended or sold by the manufacturer.
 - To reduce the risk of electrical shock, do not put electrode in water or other liquid. Do not place or store appliance where it can fall or be pulled into a tub or sink.
 - Use only the charger supplied by the manufacturer to recharge.
- ⚠ WARNING:**
This machine contains an electrostatic device that may interfere with sensitive medical devices such as pacemakers, defibrillators, or similar devices.
- DO NOT operate this machine or stand within 10 feet if you use such medical devices. Contact your physician prior to operation if you are unsure if this machine will interfere with your medical device.

6. General Safety Rules

- Keep your work area clean and well lit.
- Do not operate cordless sprayer in explosive atmospheres, such as in the presence of flammable liquids, gases, or dust. Cordless Sprayers create sparks, which may ignite the dust or fumes.
- Keep bystanders, children, and visitors away while operating a cordless sprayer. Distractions can cause you to lose control
- Do Not Use This Cordless Sprayer To Apply Flammable Liquids.
- Do not use oil base liquids.
- Store formulation in its original labeled container.
- Ensure that formulation is applied only in strict compliance with the formulation label as well as local, state, and federal regulations.
- Do not use oil-base or flammable formulations with this machine.

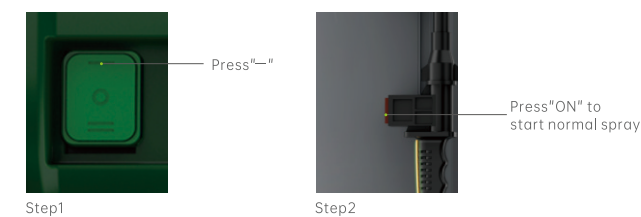
7. Personal Safety

- Stay alert, watch what you are doing and use common sense when operating a cordless sprayer. Do not use cordless sprayer while tired or under the influence of drugs, alcohol, or medication.
- A moment of inattention while operating cordless sprayer may result in serious personal injury.
- Avoid accidental starting. Be sure switch is in the OFF position before inserting battery pack.
- Carrying sprayer with your finger on the switch or inserting the battery pack into a tool with the switch ON invites accidents.
- Do not overreach. Keep proper footing and balance at all times. Proper footing and balance enables better control of the tool in unexpected situations.
- Use safety equipment. Always comply with any requirements for protective clothing, goggles, gloves, facial masks, or respirator required by the formulation label.

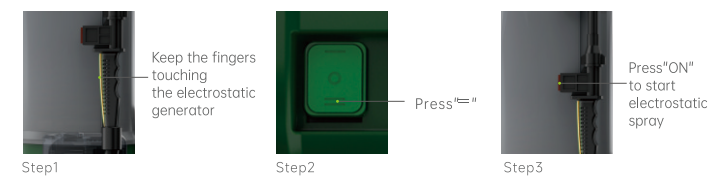
8. Operation Instructions

1. To start the use of the WIPCOOL Cordless Electrostatic Sprayer by inserting a 18 volt battery,
2. Align battery grooves then push battery forward to a locking position, listening for a click, then close the battery cover.
3. Filling the tank, full tank will be very heavy and make sure you can control it.
4. There has a 2 selection for choice, "I" is for normal spray, "II" is for electrostatic spray.

8.1 Normal spray
Press the switch to "I", but particles has no electrostatic.



8.2 Electrostatic spray
As the electrostatic uses the human body to conduct electricity, when you use electrostatic spray, your fingers must always touch the electrostatic generator. Then press the switch to "II", it will be invalid if your fingers leave the generator during the operation. and you will get a slight electric shock(it is safe as the voltage is only 18V) when your hand(figures) touch again with the generator.



1. When done using the unit, run clean water through the machine.
2. Protect unit from freezing temperatures. Do not store unit outdoors.
3. The unit can be stored above freezing temperatures for short periods of time (less than 1week) with liquid in the tanks.
4. When using the unit after long term storage, flush with clean water before use.
5. If your nozzles becomes plugged, soak in hot soapy water and blow out with pressurized air to remove blockage.

9. Warranty

This unit has been carefully tested and inspected and is warranted to be free from defects in material or workmanship. WIPCOOL will, under this warranty, repair or replace any parts which prove, upon examination, to be defective. This warranty is valid for one year from date of purchase by original purchaser. This warranty excludes accessories, unusual wear, abuse, damage resulting from an accident, or unreasonable use of this machine. Improperly performed repairs will void the warranty. To obtain warranty service a proof of purchase is required.

10. Trouble shooting

The nozzle is not spraying liquid, or the flow rate of the liquid is small, abnormal.	1. The small filter at the bottom of the barrel is blocked; 2. The nozzle is blocked; 3. The wand is blocked; 4. Tank is empty 5. Low battery	1. Clean the small filter; 2. Remove the nozzle to clean the internal parts; 3. Clean the wand 4. Fill tank 5. Re charge the battery
Jet or mist is not normal	1. The nozzle is damaged; 2. The nozzle is not adjusted well; 3. The pump is not working properly.	1. Replace the nozzle; 2. Clean and readjust nozzle 3. Repair the pump by a professional.
Poor electrostatic effect	1. The electrostatic generator is not working properly; 2. Mist spray atomization effect is not good; 3. Fingers did not touch the generator	1. Replace the electrostatic generator; 2. Adjust the nozzle to enhance the atomization effect 3. Keep the fingers always touch the generator
Liquid droplet leakage (determine the cause according to the corresponding drip position)	1. The liquid tank cover is not tightened; 2. The liquid hose connection is leaking	1. Check the barrel seal and tighten the lid; 2. Check the leak and replace the parts.
Spraying liquid is not working	1. The battery has no charge 2. The switch is causing contact failure	1. Charge or replace the battery 2. Repair or replace the switch

WIPCOOL Compact Series Cleaning Machine



YouTube www.wipcool.com
Scan us for more details